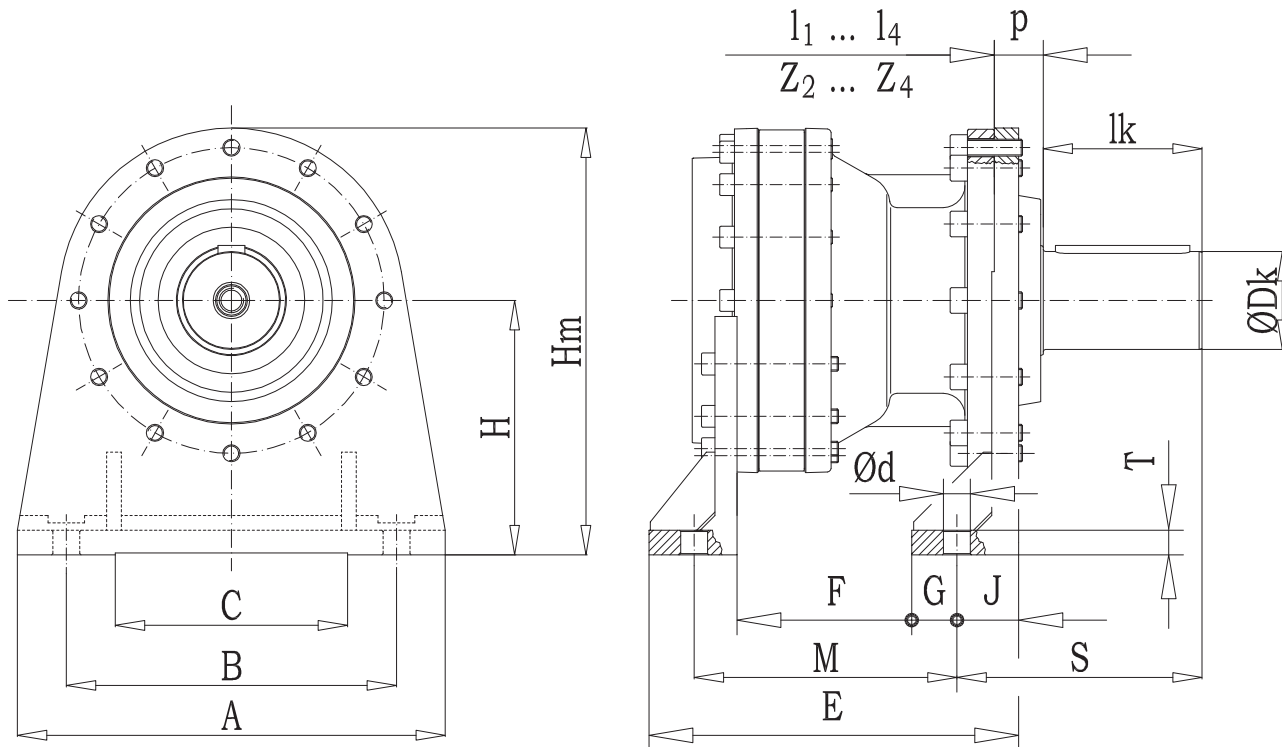


IMPORTANT NOTES:

The foot mounts for gearboxes from model PSR 36 to model PSR 260 come factory-fitted. They can't be installed afterwards.

For gearboxes from model PSR 300 to PSR 2500 the foot mounts can be installed even after commissioning. Standard orientation for the input end on right-angle gearboxes is B51 or "12 o'clock". Different orientations must be stated when ordering, e.g. B53 (3 o'clock), B52 (6 o'clock) and B5 (9 o'clock). Indication of orientation is valid for the output end view. See also section D, Mounting Positions.



Dimensions and Technical Data not shown can be found in the relevant tables for the flange mounted gears.

Data and dimensions are not binding and may be modified without prior notice

Dimensions, Foot Mounts 'FM'																			
Type	A	B	C	Dk	lk	E	F	G	d	H	Hm	J	M	p	S	T	m[kg]	m[lbs]	used on gearbox model
FM 36	310	254	—	60	105	223	70	36	18	160	270	21	126 - 143	15	86	16	15	33	36 - K11, X12
FM 42	310	254	—	60	105	223	70	36	18	160	270	21	126 - 143	15	86	16	15	33	42 - K11, X12
FM 50	310	254	—	65	105	223	70	36	18	160	270	21	126 - 143	15	86	16	15	33	50 - K12, X12
FM 60	310	254	—	65	105	238	85	36	18	160	270	21	141 - 158	15	86	16	15	33	60 - K13, X12
FM 67	310	254	—	65	105	238	85	36	18	160	270	21	141 - 158	15	86	16	15	33	67 - K13, X12
FM 75	350	270	190	80	130	233,5	74	37	22	208	350	50,5	148	40	200,5	20	25	55	75 - K11, X12
FM 85	350	270	190	80	130	233,5	74	37	22	208	350	50,5	148	40	200,5	20	25	55	85 - K11, X12
FM 100	350	270	190	80	130	233,5	74	37	22	208	350	50,5	148	40	200,5	20	25	55	100 - K11, X12
FM 110	350	270	190	80	130	248,5	74	37	22	208	350	50,5	148	40	200,5	20	25	55	110 - K11, X12
FM 130	350	270	190	80	130	248,5	74	37	22	208	350	50,5	148	40	200,5	20	25	55	130 - K11, X12
FM 140	445	356	265	90	170	330	160	32	25	225	405	53	245	36	236	22	38	84	140 - K11, X12
FM 170	445	356	265	90	170	330	160	32	25	225	405	53	245	36	236	22	38	84	170 - K11, X12
FM 200	445	356	265	100	165	330	160	32	25	225	405	53	245	36	231	22	38	84	200 - K13, X14
FM 220	445	356	265	100	165	350	180	32	25	225	405	53	265	36	231	22	38	84	220 - K13, X14
FM 260	445	356	265	100	165	350	180	32	25	225	405	53	265	36	231	22	38	84	260 - K13, X14

DIMENSIONS IN MM UNLESS OTHERWISE SPECIFIED