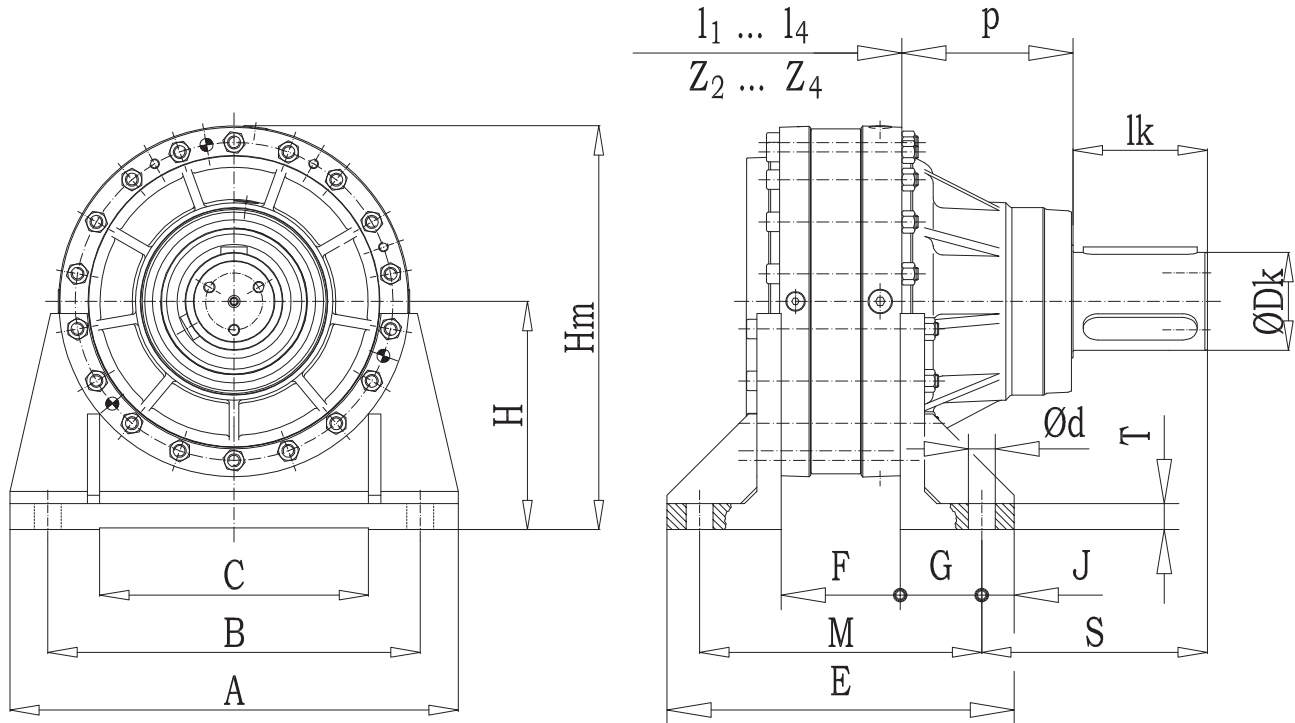


IMPORTANT NOTES:

The foot mounts for gearboxes from model PSR 36 to model PSR 260 come factory-fitted. They can't be installed afterwards.

For gearboxes from model PSR 300 to PSR 2500 the foot mounts can be installed even after commissioning. Standard orientation for the input end on right-angle gearboxes is B51 or "12 o'clock". Different orientations must be stated when ordering, e.g. B53 (3 o'clock), B52 (6 o'clock) and B5 (9 o'clock). Indication of orientation is valid for the output end view. See also section D, Mounting Positions.



Dimensions and Technical Data not shown can be found in the relevant tables for the flange mounted gears.

Data and dimensions are not binding and may be modified without prior notice

Dimensions, Foot Mounts 'FM' and 'FL'

Type	A	B	C	Dk	lk	E	F	G	d	H	Hm	J	M	p	S	T	m[kg]	m[lbs]	used on gearbox model
FM 300	550	457	330	100	165	398	118	100	33	280	500	40	318	210	277	32	78	172	300 - K11, X12
FL 300	550	457	330	100	165	448	118	100	33	280	500	40	334 - 378	210	277	32	81	179	300 - K11, X12
FM 360	550	457	330	100	165	401	121	100	33	280	500	40	321	210	277	32	78	172	360 - K11, X12
FL 360	550	457	330	100	165	451	121	100	33	280	500	40	337 - 381	210	277	32	81	179	360 - K11, X12
FM 420	550	457	330	120	165	401	121	100	33	280	500	40	321	210	277	32	78	172	420 - K13, X14
FL 420	550	457	330	120	165	451	121	100	33	280	500	40	337 - 381	210	277	32	81	179	420 - K13, X14
FM 480	550	457	330	120	165	426	146	100	33	280	500	40	346	210	277	32	78	172	480 - K13, X14
FL 480	550	457	330	120	165	476	146	100	33	280	500	40	362 - 406	210	277	32	81	179	480 - K13, X14
FM 560	550	457	330	120	165	426	146	100	33	280	500	40	346	210	277	32	78	172	560 - K13, X14
FL 560	550	457	330	120	165	476	146	100	33	280	500	40	362 - 406	210	277	32	81	179	560 - K13, X14
FM 630	550	457	330	130	170	460	146	117	33	280	515	40	380	227	277	32	83	183	630 - K11, X12
FM 750	620	508	380	150	200	497	149	112.5	39	315	590	61.5	374	279	369	32	100	220	750 - K11, X12
FL 750	620	508	380	150	200	497	149	112.5	39	315	590	61.5	374 - 409	279	369	32	100	220	750 - K11, X12
FM 900	620	508	380	150	200	497	149	112.5	39	315	590	61.5	374	279	369	32	100	220	900 - K11, X12
FL 900	620	508	380	150	200	497	149	112.5	39	315	590	61.5	374 - 409	279	369	32	100	220	900 - K11, X12
FM 1100	620	508	380	170	200	527	179	112.5	39	315	590	61.5	404	279	369	32	100	220	1100 - K13, X14
FL 1100	620	508	380	170	200	527	179	112.5	39	315	590	61.5	404 - 439	279	369	32	100	220	1100 - K13, X14
FM 1300	620	508	380	170	200	527	179	112.5	39	315	590	61.5	404	279	369	32	100	220	1300 - K13, X14
FL 1300	620	508	380	170	200	527	179	112.5	39	315	590	61.5	404 - 439	279	369	32	100	220	1300 - K13, X14
FM 1700	850	700	550	200	260	585	189	128	45	415	765	70	445	152	287	45	270	595	1700 - K11, X12
FM 2100	850	700	550	200	260	610	214	128	45	415	765	70	470	152	287	45	270	595	2100 - K11, X12
FM 2500	850	700	550	220	300	610	214	128	45	415	765	70	470	152	287	45	270	595	2500 - K13, X14

DIMENSIONS IN MM UNLESS OTHERWISE SPECIFIED