

Input Adapters

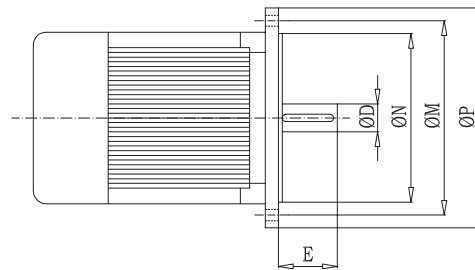
IMPORTANT NOTES:

- a The combinations given in the tables show the most common combinations of gearboxes and electric motors. These are based on typical applications and average reduction ratios.
- b Further combinations, e.g. for uncommon applications or for very low or high ratios, are available on request.
- c As there is a wide range of power, torque and speed for electric motors, the listed gear and motor combinations are intended to be just a quick reference, therefore some restrictions may apply.
- d The selected unit must be verified according to catalog section C.

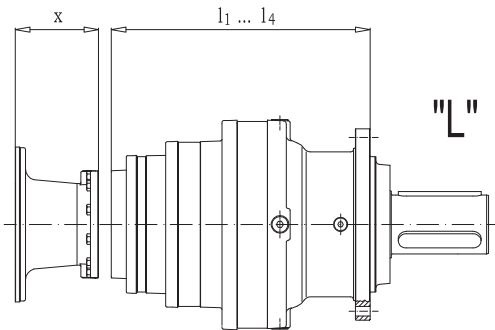
Basic IEC Dimensions, B5-Type Flange [mm]

IEC frame size	ØP	ØN	ØM	ØD	E	Flange Code
63	140	95	115	11	23	E63
71	160	110	130	14	30	E71
80	200	130	165	19	40	E80
90	200	130	165	24	50	E90
100	250	180	215	28	60	E10
112	250	180	215	28	60	E10
132	300	230	265	38	80	E13
160	350	250	300	42	110	E16
180	350	250	300	48	110	E18
200	400	300	350	55	110	E20
225	450	350	400	60	140	E22
250	550	450	450	65	140	E25
280	550	450	450	75	140	E28
315	660	550	550	80	170	E31

IEC



Mounting Scheme, In-Line Gears



Mounting Scheme, Right-Angle Gears

