

Input Adapters

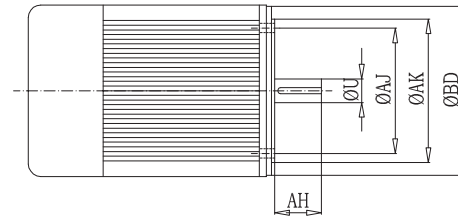
IMPORTANT NOTES:

- a The combinations given in the tables show the most common combinations of gearboxes and electric motors. These are based on typical applications and average reduction ratios.
- b Further combinations, e.g. for uncommon applications or for very low or high ratios, are available on request.
- c As there is a wide range of power, torque and speed for electric motors, the listed gear and motor combinations are intended to be just a quick reference, therefore some restrictions may apply.
- d The selected unit must be verified according to catalog section C.

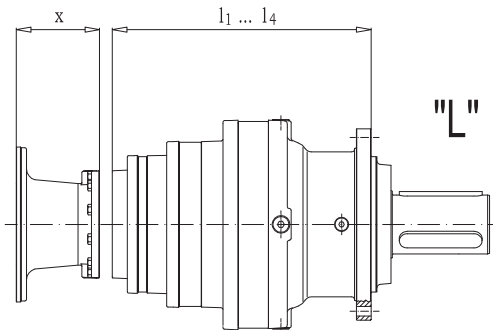
Basic NEMA Dimensions, C-Face Flange [in]

NEMA frame size	ØBD	ØAK	ØAJ	ØU	AH	Flange Code
42 C	4.9	3.0	3.750	0.375	1.31	---
48 C	5.0	3.0	3.750	0.500	1.69	---
56 C	6.5	4.5	5.875	0.625	2.06	N56
143 - 145 TC	6.5	4.5	5.875	0.875	2.13	N14
182 - 184 TC	8.9	8.5	7.250	1.125	2.63	N18
213 - 215 TC	9.0	8.5	7.250	1.375	3.13	N21
254 - 256 TC	9.6	8.5	7.250	1.625	3.75	N25
284 - 286 TC	11.0	10.5	9.0	1.875	4.38	N28
324 - 326 TC	13.4	12.5	11.0	2.125	5.00	N32
364 - 365 TC	14.0	12.5	11.0	2.375	5.63	N36
404 - 405 TC	15.5	12.5	11.0	2.875	7.00	N40
444 - 445 TC	18.0	16.0	14.0	3.375	8.25	N44

NEMA



Mounting Scheme, In-Line Gears



Mounting Scheme, Right-Angle Gears

