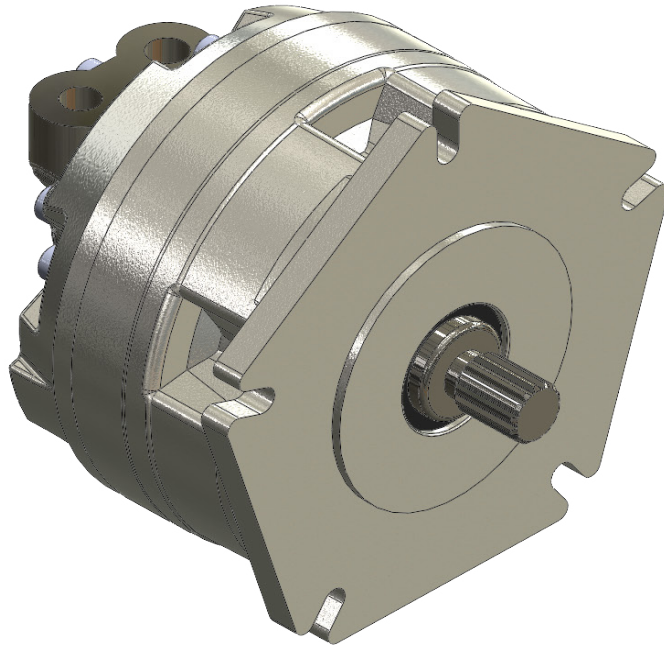


**FS30 SERIES**



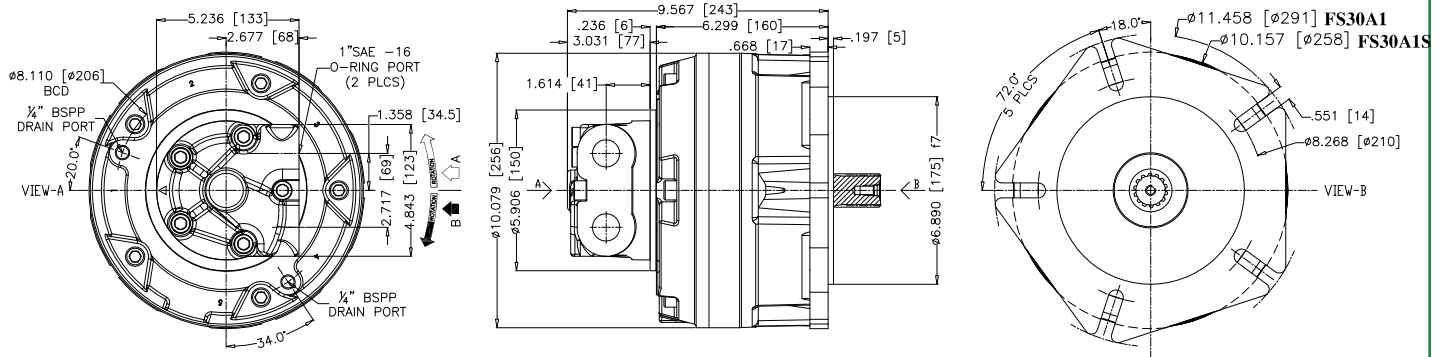
<b>FS30 Series</b>		<b>150</b>	<b>175</b>	<b>200</b>	<b>250</b>	<b>280</b>	<b>300</b>	<b>340</b>	<b>400</b>
Displacement	in <sup>3</sup> /rev	9.39	10.49	12.26	14.84	17.66	19.16	20.73	24.04
Torque/100 psi (Theor)	ft/lb	12.51	13.98	16.35	19.79	22.58	25.56	27.64	32.06
Nominal pressure <sup>(1)</sup>	psi	3550	3500	3550	3550	3550	3550	3550	3550
Peak pressure	psi	5500	5500	5500	5500	5200	5200	5000	4800
Max. speed <sup>(2)</sup>	rpm	1300	1100	1000	800	700	700	670	575
Peak power	HP	80	80	80	80	80	80	80	80

<b>FS30 Series HD</b>		<b>150</b>	<b>175</b>	<b>200</b>	<b>250</b>	<b>280</b>	<b>300</b>	<b>340</b>	<b>400</b>
Displacement	in <sup>3</sup> /rev	9.39	10.49	12.26	14.84	17.66	19.16	20.73	24.04
Torque/100 psi (Theor)	ft/lb	12.51	13.98	16.35	19.79	22.58	25.56	27.64	32.06
Nominal pressure <sup>(1)</sup>	psi	3550	3500	3550	3550	3550	3550	3550	3550
Peak pressure	psi	5500	5500	5500	5500	5200	5200	5000	4800
Max. speed <sup>(2)</sup>	rpm	1300	1100	1000	800	700	700	670	575
Peak power	HP	80	80	80	80	80	80	80	80

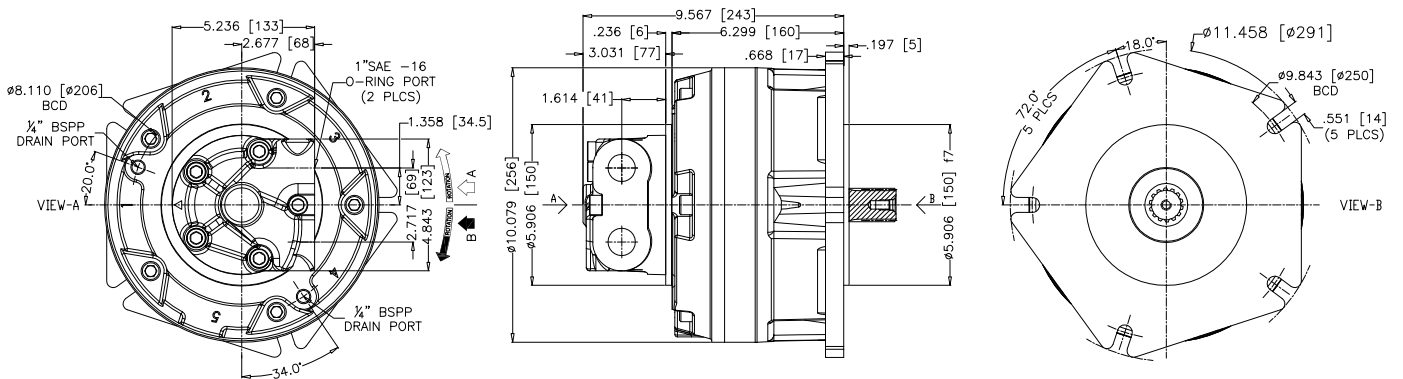
**Approximate Weight:** 100 lbs    **Motor Casing Oil Capacity:** 61 in<sup>3</sup>    **Max. Casing Pressure:** 14.5 psi (72.5 psi peak)

1) Continuous or average working pressure should be chosen on the motor bearing lifetime choice. 2) Speed limitation with optional low speed distributors (eg. D31); see distributor pages section.

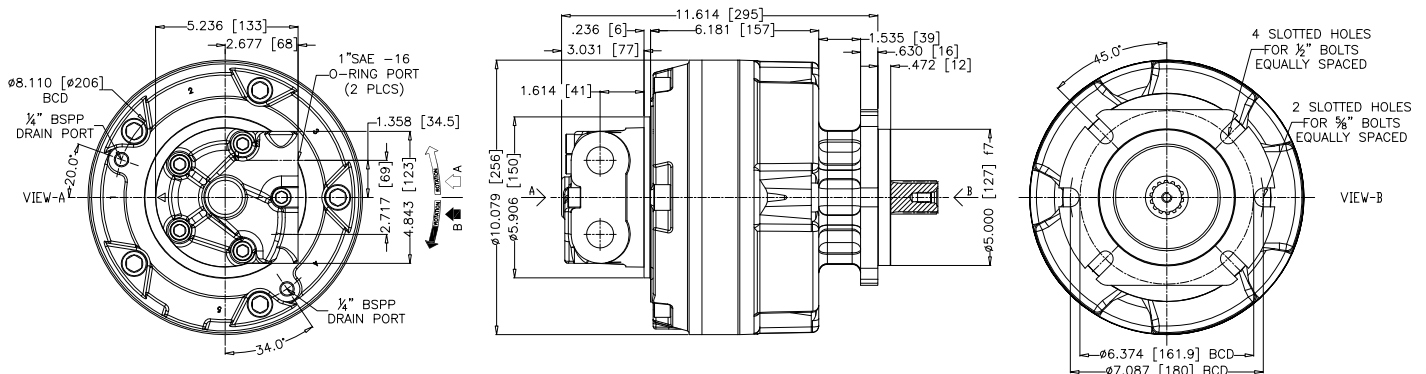
**A1/A1S MOUNT**



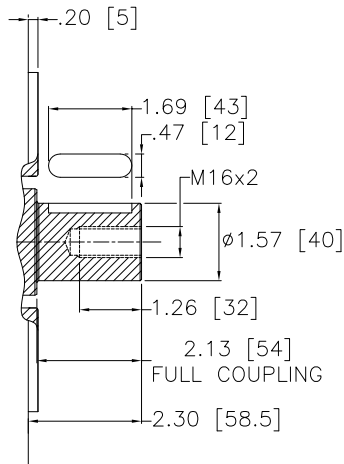
**A2 MOUNT**



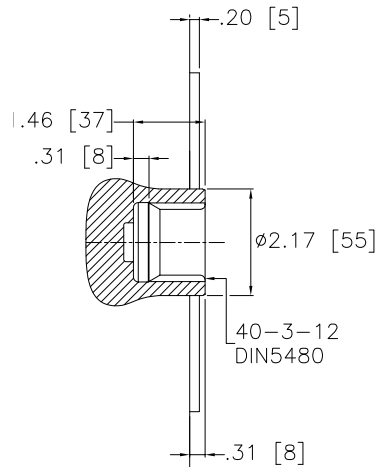
**A3 MOUNT**



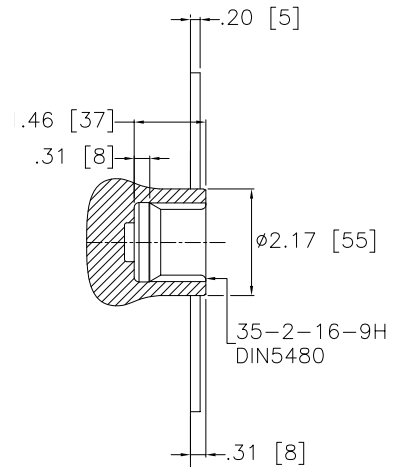
## SHAFT OPTIONS FOR A1/A1S MOUNT



**Code 8**

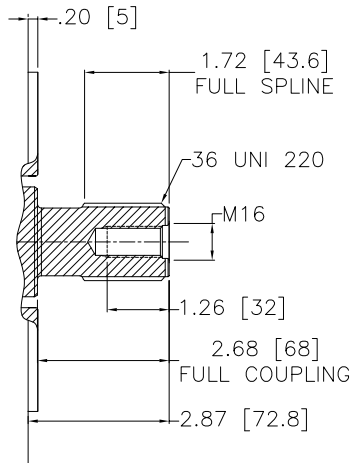


**Code 9**

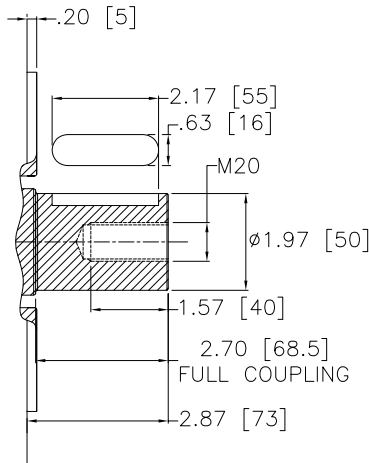


**Code 9S**

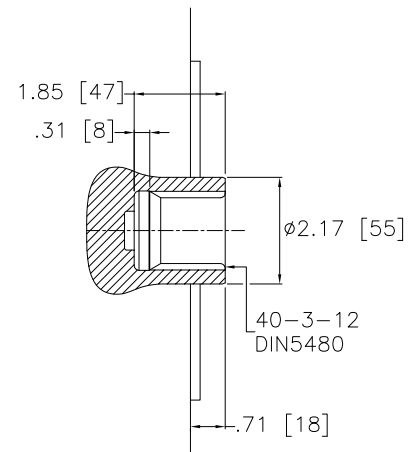
## SHAFT OPTIONS FOR A2 MOUNTS



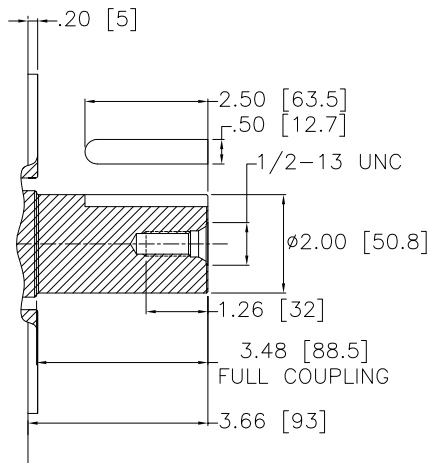
**Code 1**



**Code 8a**

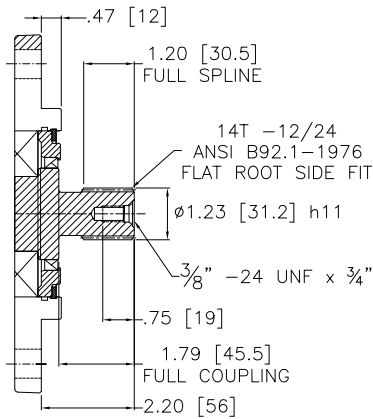
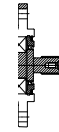


**Code 9**

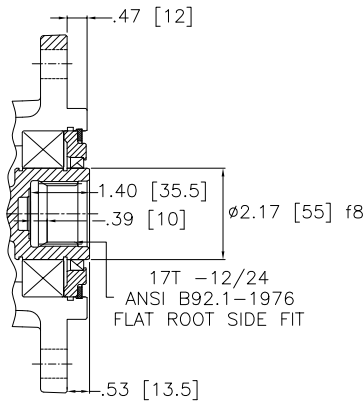


**Code 18**

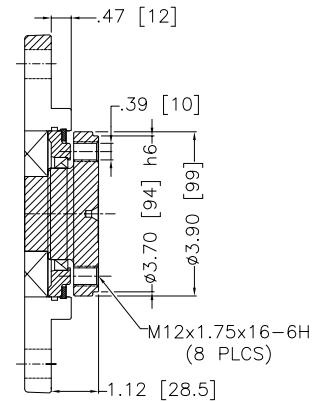
## SHAFT OPTIONS FOR A3 MOUNT WITH 3RD BEARING



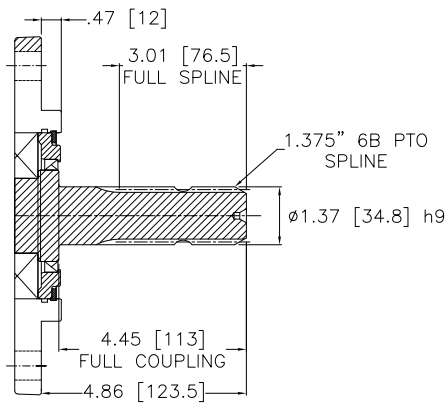
**Code 17**



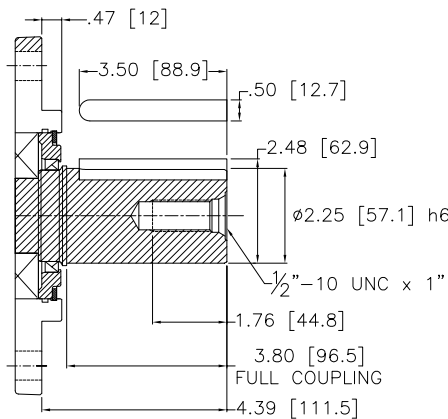
**Code 22**



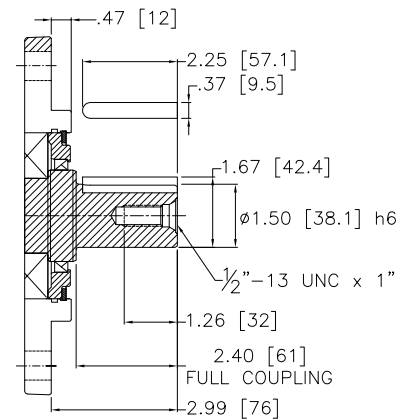
**Code 25**



**Code 26**

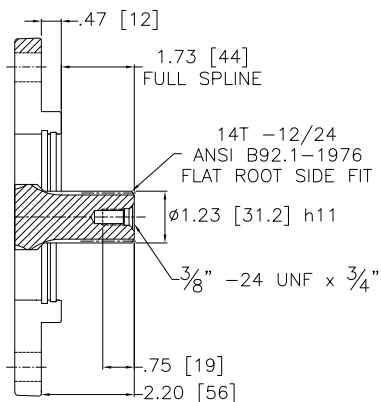
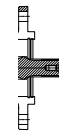


**Code 33**

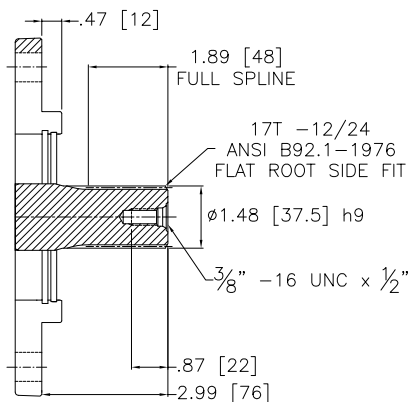


**Code 68**

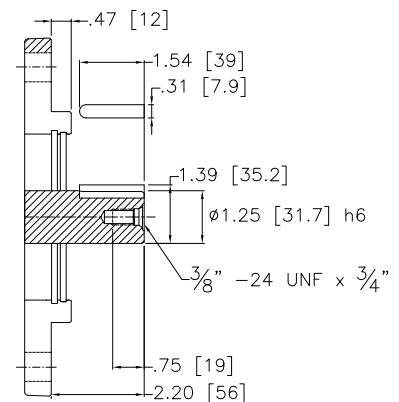
## SHAFT OPTIONS FOR A3 MOUNT WITHOUT 3RD BEARING



**Code 27**



**Code 32**

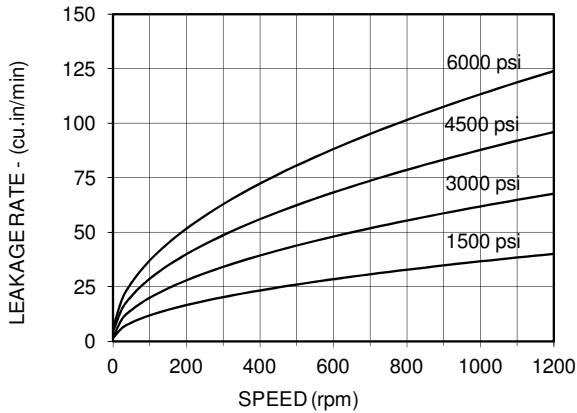


**Code 38**

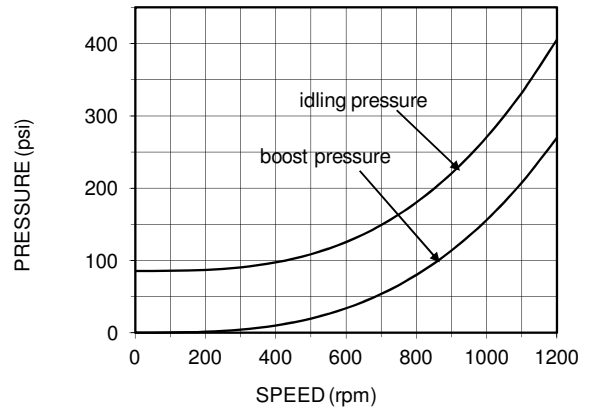
## FS30 MOTOR PERFORMANCE DATA

The graphs indicate the typical performance characteristics of the 300 displacement motor operating with mineral oil with viscosity 40 cSt at 50°C.

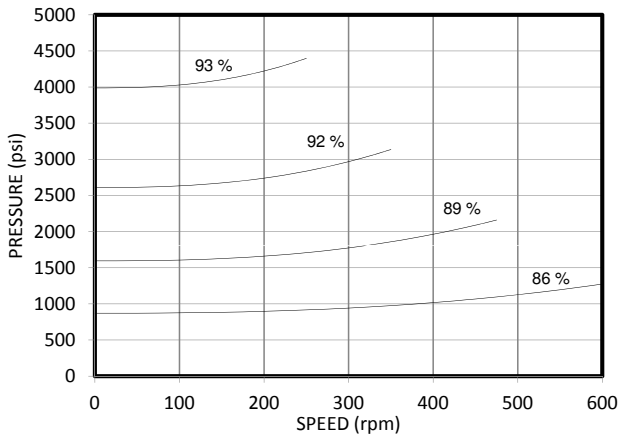
**VOLUMETRIC EFFICIENCY**



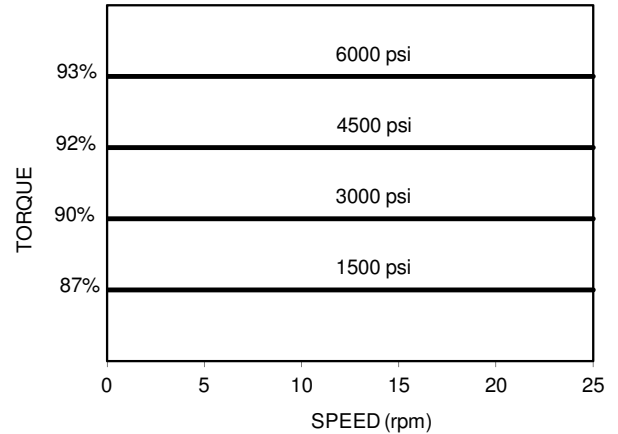
**IDLING AND BOOST PRESSURE**



**MECHANICAL EFFICIENCY**



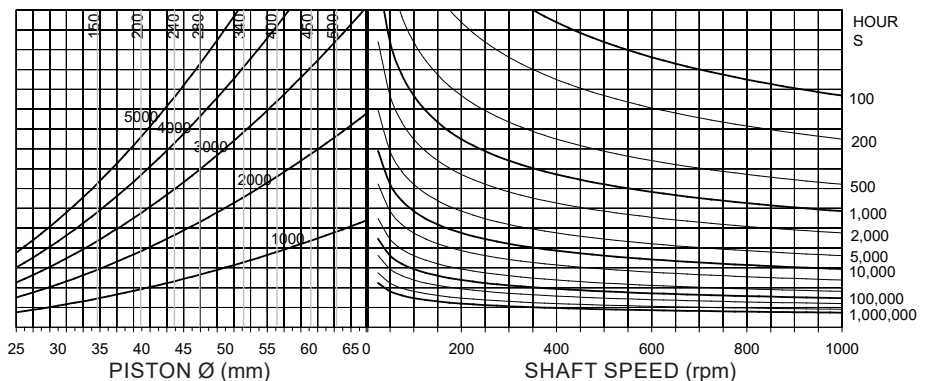
**STARTING AND LOW SPEED TORQUE**



### BEARING LIFETIME

The graph refers to the motor with roller bearings (option 11). Note that the average lifetime of a bearing ( $B_{50}$  lifetime) is approximately 5 times the  $B_{10}$  lifetime.

Motor bearing life on the HD version approx. double than standard version (*consult factory for actual hrs life*)



**FS30 ORDERING CODES**

