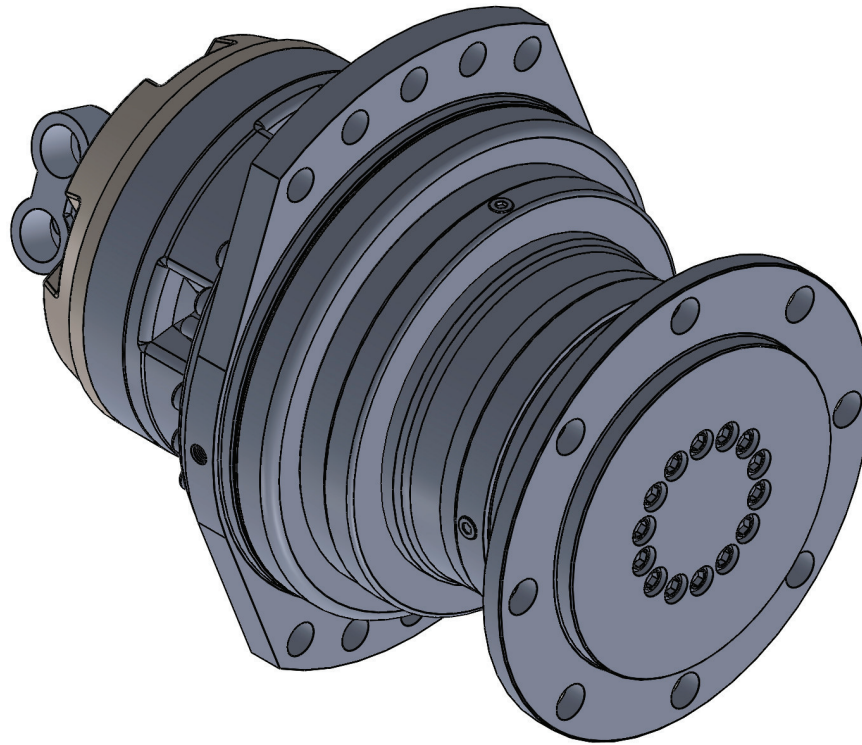


PSW100



Motor: FS30

Weight:

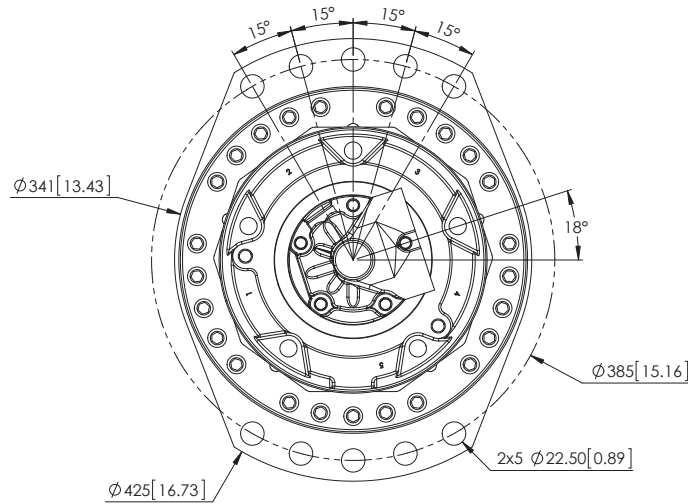
Oil:

Gearbox Case Pressure: 5 psi ⁽⁴⁾

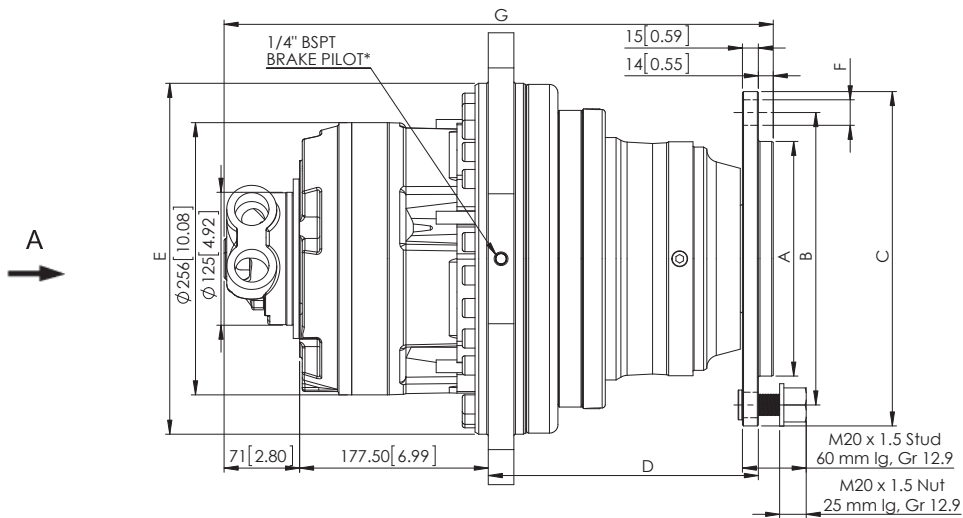
| Nominal Displacement | | 1000 | 1250 | 1450 | 1600 | 1700 | 2000 | 2150 | 2500³ | 3000³ |
|---|----------------------|-------------|-------------|-------------|-------------|-------------|-------------|-------------|-------------------------|-------------------------|
| Displacement | in ³ /rev | 61.94 | 74.98 | 89.23 | 96.81 | 104.74 | 121.47 | 131.07 | 151.99 | 174.17 |
| Torque/100 psi (Theor) | ft/lb | 82.20 | 99.50 | 118.41 | 128.47 | 138.99 | 161.19 | 180.41 | 201.69 | 231.12 |
| Motor Cont Pressure Rating ⁽¹⁾ | psi | 3550 | 3550 | 3550 | 3550 | 3550 | 3550 | 3550 | 3550 | 3550 |
| Motor Peak Pressure Rating | psi | 6040 | 5690 | 5690 | 5690 | 5690 | 5330 | 4980 | 5330 | 4980 |
| Output Cont Torque Rating | ft/lb | 2918 | 3532 | 4203 | 4560 | 4934 | 5722 | 6569 | 7160 | 8204 |
| Output Peak Torque Rating | ft/lb | 4965 | 5661 | 6737 | 7309 | 7908 | 8591 | 9216 | 10750 | 11510 |
| Continuous Speed ⁽²⁾ | rpm | 170 | 140 | 120 | 110 | 100 | 90 | 85 | 80 | 75 |
| Max. speed ⁽²⁾ | rpm | 200 | 160 | 140 | 140 | 164 | 115 | 100 | 90 | 85 |
| Peak power | HP | 80 | 80 | 80 | 80 | 80 | 80 | 80 | 95 | 95 |
| Brake Release Pressure | psi | 240 | 240 | 240 | 240 | 240 | 240 | 240 | 240 | 240 |
| Max Brake Release Pressure | psi | 600 | 600 | 600 | 600 | 600 | 600 | 600 | 600 | 600 |
| Max Brake Holding Torque | ft-lb | 4965 | 5661 | 6737 | 7309 | 7908 | 8591 | 9216 | 10750 | 11510 |

1) Continuous or average working pressure should be chosen on the motor bearing lifetime choice. 2) Speed limitation with optional low speed distributors (eg. D31); see distributor pages section. 3) Uses GM2 motor. 4) For both separate and common oil. Consult SAI for high pressure casing.

PSW100 DIMENSIONS



VIEW A



| Unit Type | A mm [in] | B mm [in] | C mm [in] | D mm [in] | E mm [in] | F mm [in] | G mm [in] |
|---------------|---------------------|--------------------|--------------------|--------------------|--------------------|-------------------------|------------------|
| With Brake | Ø 220.7 [Ø 8.69] | Ø 275 [Ø 10.83] | Ø 314 [Ø 12.36] | Ø 254 [Ø 10.00] | Ø 330 [Ø 12.99] | 8 x Ø 24 [8 x Ø .94] | 516.5 [20.33] |
| Without Brake | Ø 220.7 [Ø 8.69] | Ø 275 [Ø 10.83] | Ø 314 [Ø 12.36] | Ø 254 [Ø 10.00] | Ø 330 [Ø 12.99] | 8 x Ø 24 [8 x Ø .94] | 516.5 [20.33] |

*Brake Pilot only on motor models with internal brake.