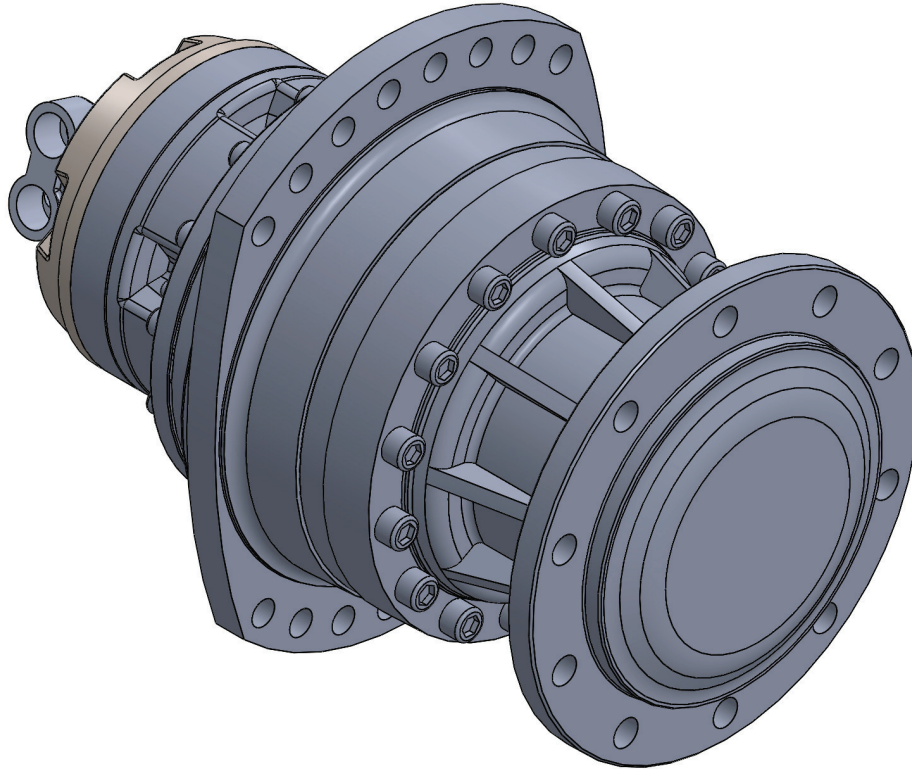


PSW200



Motor: FS507

Weight:

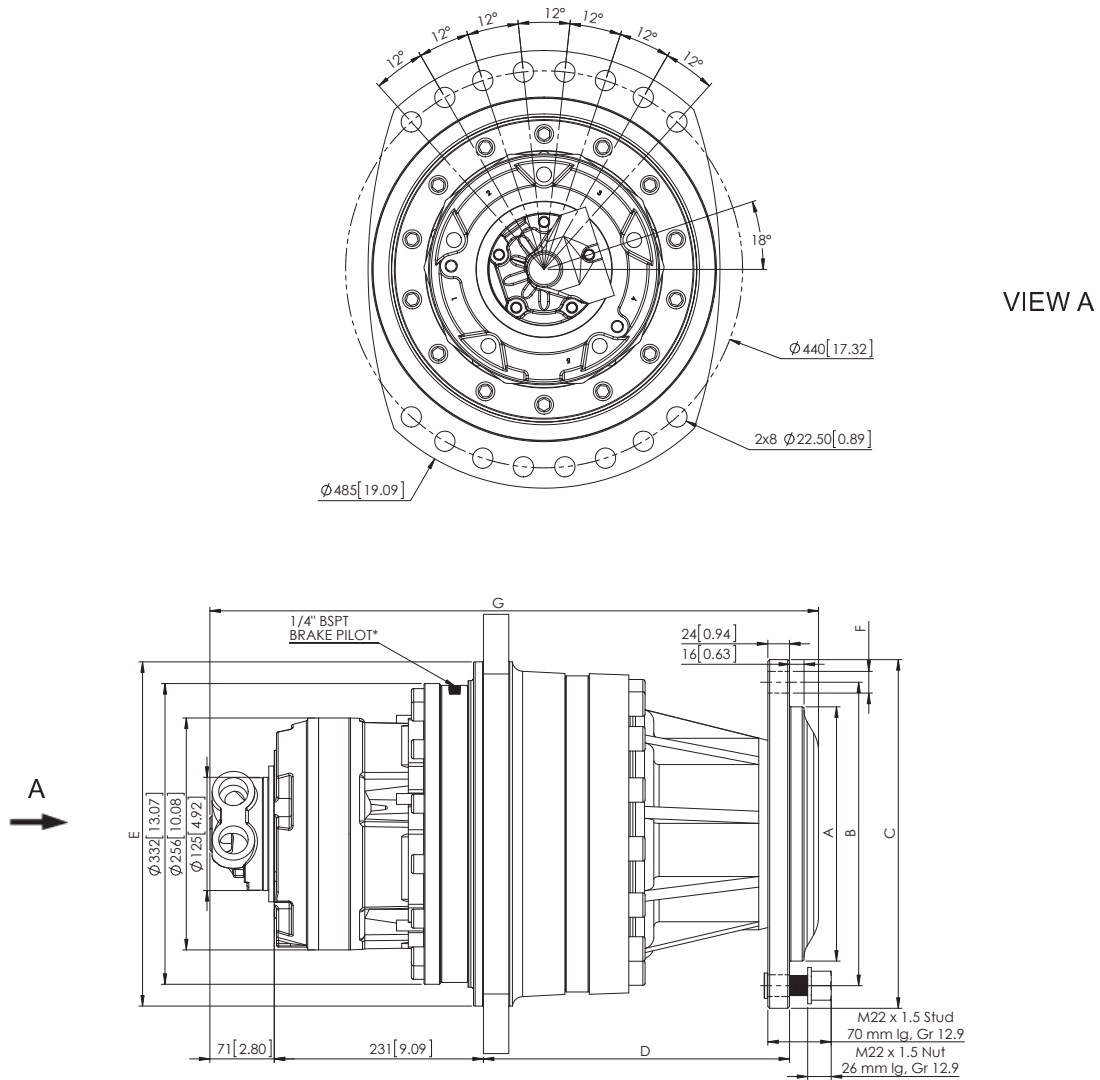
Oil:

Gearbox Case Pressure: 5 psi ⁽³⁾

Nominal Displacement		2100	2400	2800	3200	4000
Displacement	in ³ /rev	119.80	147.39	170.94	196.20	244.00
Torque/100 psi (Theor)	ft/lb	158.97	195.58	226.83	260.36	323.79
Motor Cont Pressure Rating ⁽¹⁾	psi	4000	4000	4000	4000	4000
Motor Peak Pressure Rating	psi	6000	5000	5000	4500	4500
Output Cont Torque Rating	ft/lb	6359	7823	9073	10414	12951
Output Peak Torque Rating	ft/lb	9538	9779	11341	11716	14570
Continuous Speed ⁽²⁾	rpm	100	90	85	80	80
Max. speed ⁽²⁾	rpm	140	120	100	90	70
Peak power	HP	100	100	100	100	100
Brake Release Pressure	psi	240	240	240	240	240
Max Brake Release Pressure	psi	600	600	600	600	600
Max Brake Holding Torque	ft-lb	9538	9779	11341	11716	14570

1) Continuous or average working pressure should be chosen on the motor bearing lifetime choice, 2) Speed limitation with optional low speed distributors (eg. D31); see distributor pages section. 3) For both separate and common oil. Consult SAI for high pressure casing.

PSW200 DIMENSIONS



Unit Type	A mm [in]	B mm [in]	C mm [in]	D mm [in]	E mm [in]	F mm [in]	G mm [in]
With Brake	Ø 280.7 [Ø 11.05]	Ø 335 [Ø 13.19]	Ø 385 [Ø 15.16]	Ø 338 [Ø 13.31]	Ø 380 [Ø 14.94]	10 x Ø 24 [10 x Ø .94]	677 [26.65]
Without Brake	Ø 280.7 [Ø 11.05]	Ø 335 [Ø 13.19]	Ø 385 [Ø 15.16]	Ø 338 [Ø 13.31]	Ø 380 [Ø 14.94]	10 x Ø 24 [10 x Ø .94]	638 [25.11]

*Brake Pilot only on motor models with internal brake