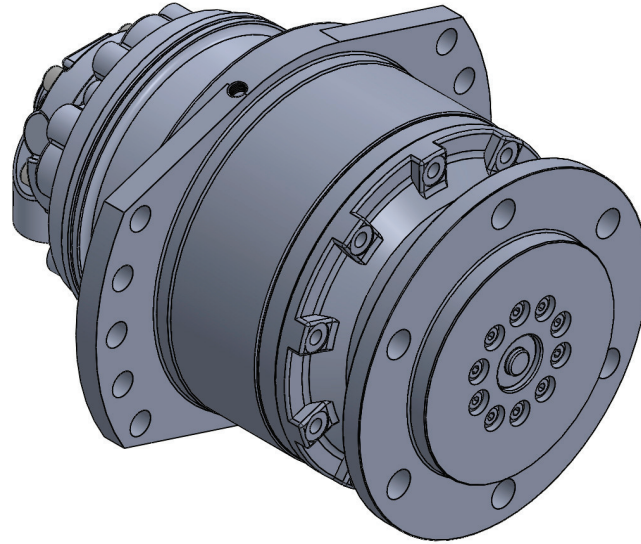


PSW50



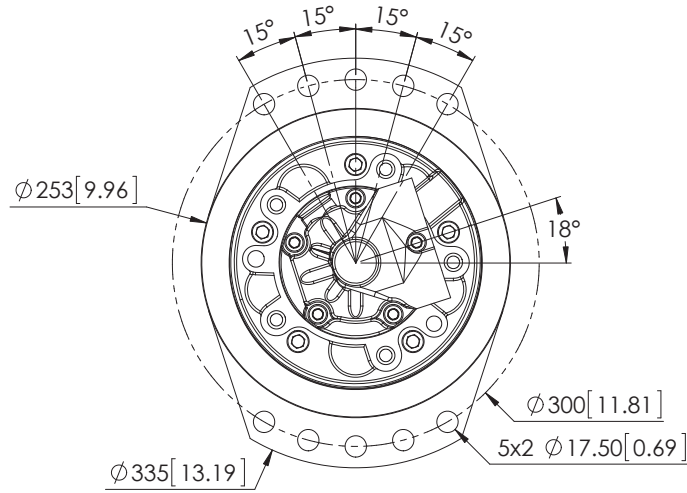
Motor: FS15
 Weight: 213 lbs
 Oil: 1.64 quarts
 Gearbox Case Pressure: 5 psi ⁽³⁾

| Nominal Displacement | | 400 | 450 | 580 | 760 | 840 | 970 | 1100 | 1200 |
|---|----------------------|------------|------------|------------|------------|------------|------------|-------------|-------------|
| Displacement | in ³ /rev | 23.79 | 27.03 | 35.72 | 46.69 | 51.84 | 59.12 | 67.25 | 72.96 |
| Torque/100 psi (Theor) | ft/lb | 31.56 | 35.86 | 47.39 | 61.95 | 68.39 | 78.45 | 89.23 | 96.81 |
| Motor Cont Pressure Rating ⁽¹⁾ | psi | 4000 | 4000 | 4000 | 4000 | 4000 | 4000 | 4000 | 4000 |
| Motor Peak Pressure Rating | psi | 6000 | 6000 | 6000 | 6000 | 6000 | 6000 | 6000 | 5500 |
| Output Cont Torque Rating | ft/lb | 4000 | 4000 | 4000 | 4000 | 4000 | 4000 | 4000 | 4000 |
| Output Peak Torque Rating | ft/lb | 5000 | 5000 | 5000 | 5000 | 5000 | 5000 | 5000 | 5000 |
| Continuous Speed ⁽²⁾ | rpm | 150 | 150 | 150 | 130 | 130 | 120 | 110 | 100 |
| Max. speed ⁽²⁾ | rpm | 200 | 200 | 190 | 190 | 180 | 180 | 170 | 160 |
| Peak power | HP | 80 | 80 | 80 | 80 | 80 | 80 | 80 | 80 |
| Brake Release Pressure | psi | 240 | 240 | 240 | 240 | 240 | 240 | 240 | 240 |
| Max Brake Release Pressure | psi | 600 | 600 | 600 | 600 | 600 | 600 | 600 | 600 |
| Max Brake Holding Torque | ft-lb | 5000 | 5000 | 5000 | 5000 | 5000 | 5000 | 5000 | 5000 |

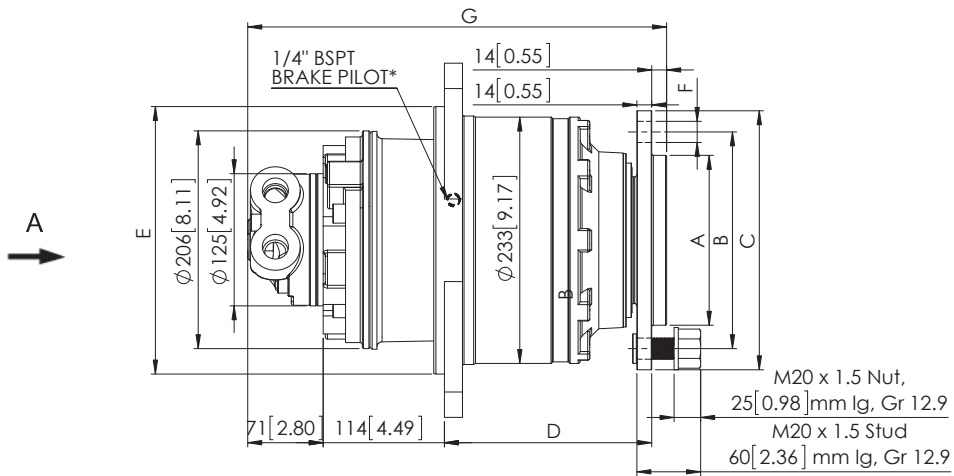
1) Continuous or average working pressure should be chosen on the motor bearing lifetime choice. 2) Speed limitation with optional low speed distributors (eg. D31); see distributor pages section. 3) For both separate and common oil. Consult SAI for high pressure casing.

PSW50 will be available Fall 2013

PSW50 DIMENSIONS



VIEW A



| Unit Type | A mm [in] | B mm [in] | C mm [in] | D mm [in] | E mm [in] | F mm [in] | G mm [in] |
|---------------|---------------------|-------------------|--------------------|-------------------|-------------------|---------------------------|----------------|
| With Brake | Ø 160.7 [Ø 6.33] | Ø 205 [Ø 8.07] | Ø 245 [Ø 9.65] | Ø 195 [Ø 7.68] | Ø 253 [Ø 9.96] | 6 x Ø 20 [6 x Ø .79] | 380 [14.96] |
| With Brake | Ø 175.7 [Ø 6.92] | Ø 225 [Ø 8.86] | Ø 270 [Ø 10.63] | Ø 195 [Ø 7.68] | Ø 253 [Ø 9.96] | 10 x Ø 18 [10 x Ø .71] | 380 [14.96] |
| Without Brake | Ø 160.7 [Ø 6.33] | Ø 205 [Ø 8.07] | Ø 245 [Ø 9.65] | Ø 195 [Ø 7.68] | Ø 253 [Ø 9.96] | 6 x Ø 20 [6 x Ø .79] | 380 [14.96] |
| Without Brake | Ø 175.7 [Ø 6.92] | Ø 225 [Ø 8.86] | Ø 270 [Ø 10.63] | Ø 195 [Ø 7.68] | Ø 253 [Ø 9.96] | 10 x Ø 18 [10 x Ø .71] | 380 [14.96] |

Optional Mechanical Disconnect Available, Contact SAI Technical Department for more information.

*Brake Pilot only on motor models with internal brake.