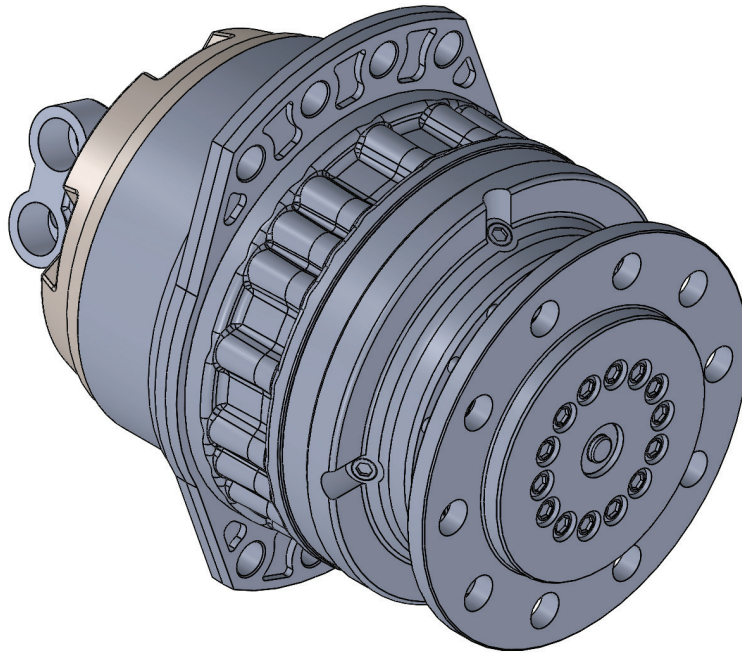


PSW85



Motor: FS30

Weight:

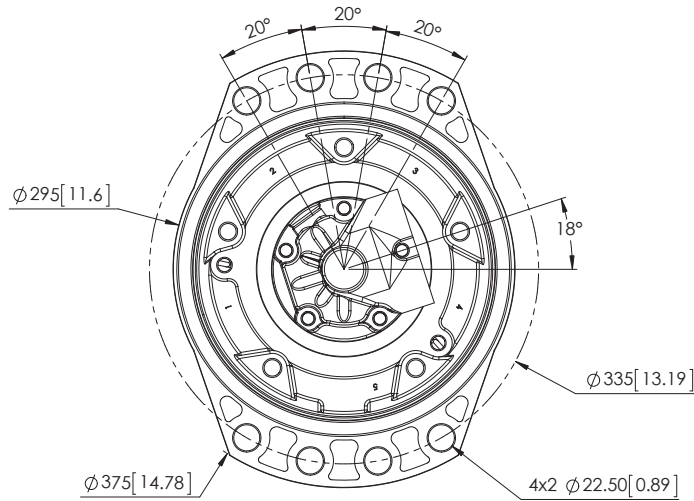
Oil:

Gearbox Case Pressure: 5 psi ⁽³⁾

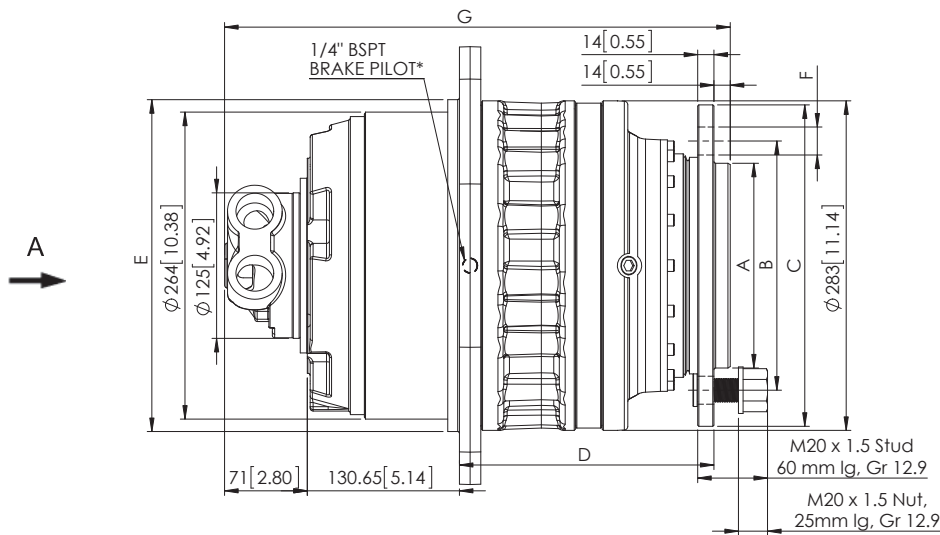
Nominal Displacement		800	880	1000	1250	1450	1600	1700	2000
Displacement	in ³ /rev	47.64	53.00	61.94	74.98	89.23	96.81	104.74	121.47
Torque/100 psi (Theor)	ft/lb	62.96	70.33	82.20	99.50	118.41	128.47	138.99	161.19
Motor Cont Pressure Rating ⁽¹⁾	psi	3550	3550	3550	3550	3550	3550	3550	3550
Motor Peak Pressure Rating	psi	6400	5690	6040	5690	5690	5690	55690	5330
Output Cont Torque Rating	ft/lb	2235	2496	2918	3532	4203	4560	4934	5722
Output Peak Torque Rating	ft/lb	4029	4002	4965	5661	6737	7309	7908	8591
Continuous Speed ⁽²⁾	rpm	240	200	150	140	120	110	100	90
Max. speed ⁽²⁾	rpm	260	220	200	160	140	140	134	115
Peak power	HP	80	80	80	80	80	80	80	80
Brake Release Pressure	psi	240	240	240	240	240	240	240	240
Max Brake Release Pressure	psi	600	600	600	600	600	600	600	600
Max Brake Holding Torque	ft-lb	4029	4002	4965	5661	6737	7309	7908	8591

1) Continuous or average working pressure should be chosen on the motor bearing lifetime choice. 2) Speed limitation with optional low speed distributors (eg. D31); see distributor pages section. 3) For both separate and common oil. Consult SAI for high pressure casing.

PSW85 DIMENSIONS



VIEW A



Unit Type	A mm [in]	B mm [in]	C mm [in]	D mm [in]	E mm [in]	F mm [in]	G mm [in]
With Brake	Ø 175.8 [Ø 6.92]	Ø 225 [Ø 8.86]	Ø 276 [Ø 10.87]	Ø 218.6 [Ø 8.61]	Ø 285 [Ø 9.96]	10 x Ø 24 [10 x Ø .94]	464.25 [18.27]
Without Brake	Ø 175.8 [Ø 6.92]	Ø 225 [Ø 8.86]	Ø 276 [Ø 10.87]	Ø 218.6 [Ø 8.61]	Ø 285 [Ø 9.96]	10 x Ø 24 [10 x Ø .94]	464.25 [18.27]

Optional Mechanical Disconnect Available, Contact SAI Technical Department for more information.

*Brake Pilot only on motor models with internal brake.